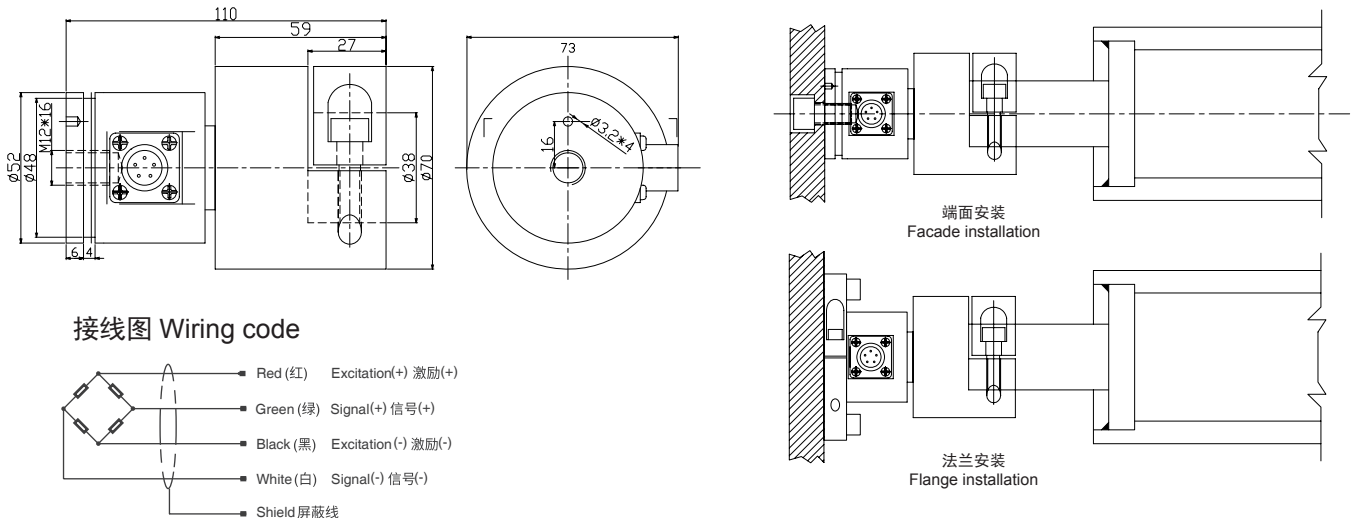


张力传感器 TENSION SENSOR CLT 张力传感器 CLT Tension Sensor



- Maximum capacity (E_{max}) 额定载荷 (kg):
10, 25, 50, 75, 150, 250
- Be suitable for Papermaking, Chemical and other industries.
应用于造纸、化工等行业

外形尺寸 Dimensions(in mm)



技术参数 Specifications

额定载荷 Rated Load	kg	10, 25, 50, 75, 150, 250
额定输出 Rated Output	mV/V	1 \pm 0.1%
零点平衡 Zero Balance	%R.O.	\pm 1
综合误差 Comprehensive Error	%R.O.	\pm 0.3
推荐激励电压 Recommended excitation voltage	VDC	5-12 / 15(max)
输入 / 输出阻抗 Input / Output impedance	Ω	380 \pm 10 / 350 \pm 5
绝缘阻抗 Insulation resistance	M Ω	\geq 5000 (50VDC)
安全 / 极限过载 Safe / Ultimate overload	%R.C.	150 / 300
弹性元件材料 Material		Alloy Steel 合金钢
防护等级 Degree of protection		IP65
电缆线长度 The length of the cable	m	3