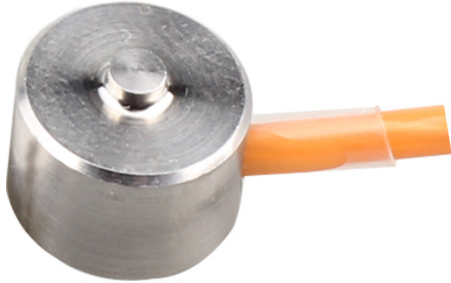


称重传感器 LOAD CELL

UM 称重传感器

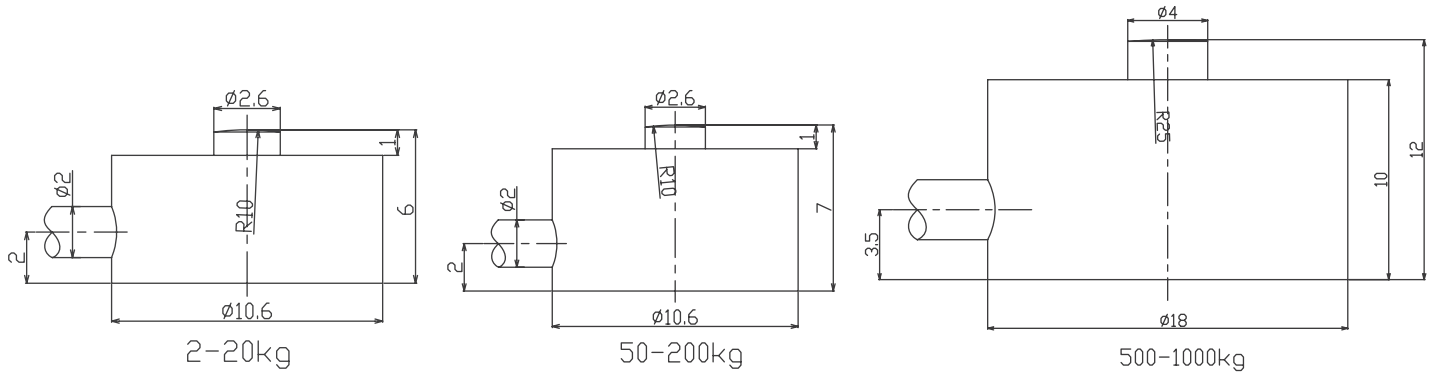
UM Load Cell



- Maximum capacity (E_{max}) 额定载荷 (kg):
2, 5, 10, 20, 50, 100, 200, 500, 1000
- Be suitable for a wide range of applications including testing or weighing systems, and it can be put into the device, in order to monitor the force.

适用力的控制及测量，更可装入仪器内部，以便对工作过程力进行监控

外形尺寸 Dimensions(in mm)



技术参数 Specifications

额定载荷 Rated Load	kg	2, 5, 10, 20, 50, 100, 200, 500, 1000
额定输出 Rated Output	mV/V	1.2~1.5
零点平衡 Zero Balance	%R.O.	±2
综合误差 Comprehensive Error	%R.O.	±0.5
蠕变 (30 分钟) Creep after 30 minutes	%R.O.	±0.5
推荐激励电压 Recommended excitation voltage	VDC	3-5/10(max)
输入阻抗 Input impedance	Ω	350±5
输出阻抗 Output impedance	Ω	350±3
绝缘阻抗 Insulation resistance	MΩ	≥5000 (50VDC)
安全过载 Safe overload	%R.C.	150
极限过载 Ultimate overload	%R.C.	200
弹性元件材料 Material		Stainless steel 不锈钢
防护等级 Degree of protection		IP65
接线方式 Wiring code	Ex:	红 Red: + 黑 Black:-
	Sig:	绿 Green: + 白 White:-