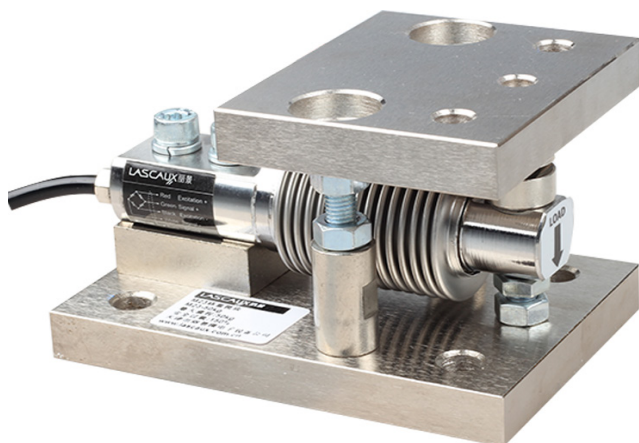


称重模块 Weighing Module

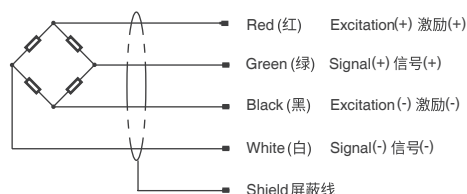
M23 称重模块

M23 Weighing Module



- Maximum capacity (E_{max}) 额定载荷 (kg):
10,20,50,100,200,300,500
- Suitable for tanks, silo, and others weighing control.
适用于槽罐的配料称重控制

Wiring code 接线图



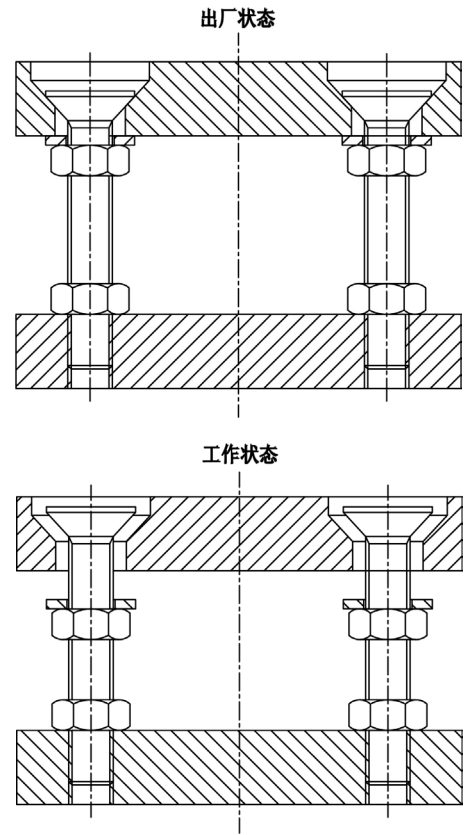
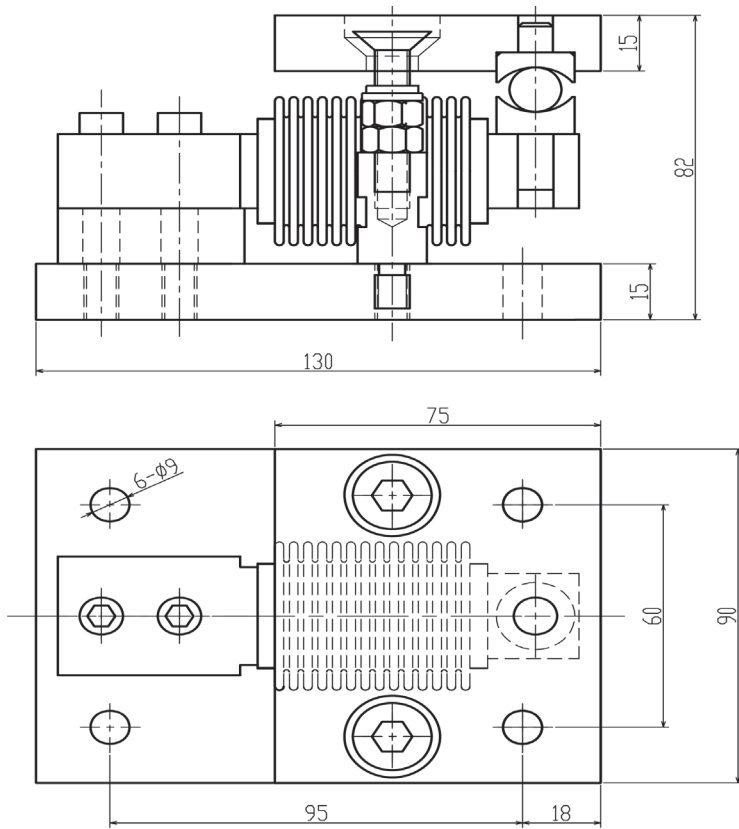
特点 Features

- 使用优质传感器，称量精度高
- 结构独特，可方便地安装在各种槽罐上
- 可以消除槽罐因热胀冷缩带来的称量误差
- 支撑螺栓，防止设备倾覆
- 不锈钢焊接密封传感器，可在各种恶劣环境下使用
- 安装简单、快速
- 维护方便，节约停机维护时间
- 适用于槽罐的配料称重控制
- High accuracy load cell, High comprehensive precision
- Unique structure, simplifies load cell installation on tanks, silo, and other weighing vessels
- Remove the weighing error thermal expansion, contraction
- Support the bolt, prevent the equipment to avoid upsetting
- Stainless steel material welded sealing load cell can be used in various harsh environments
- Easily and quickly install
- Reducing load cell damage and plant down-time
- Suitable for tanks, silo, and others weighing control

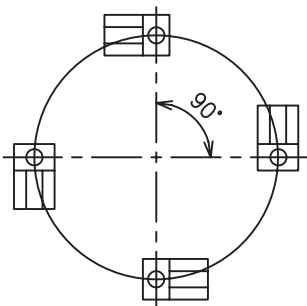
技术参数 Specifications

称重传感器 Load Cell		HBB
额定载荷 (R.C.) Rated Load	kg	10,20,50,100,200,300,500
额定输出 (R.O.) Rated Output	mV/V	2.0±0.0050
安全过载 Safe overload	%R.C.	150
极限过载 Ultimate overload	%R.C.	300
防护等级 Protection class		IP68
接线方式 Wiring code	Ex:	红 Red: + 黑 Black:-
	Sig:	绿 Green: + 白 White:-

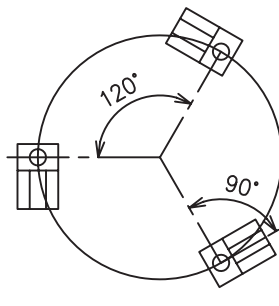
外形尺寸 Dimensions(in mm)



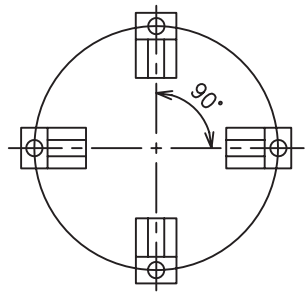
安装布置 Installation layout



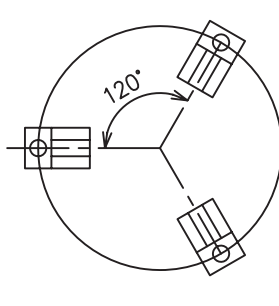
切向布置



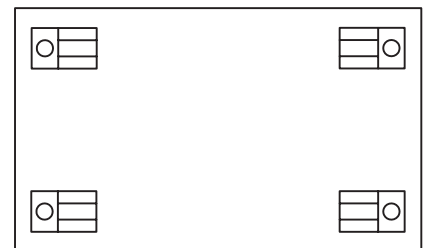
切向布置



径向布置



径向布置



矩形布置