

称重传感器 LOAD CELL

LCF510 称重传感器

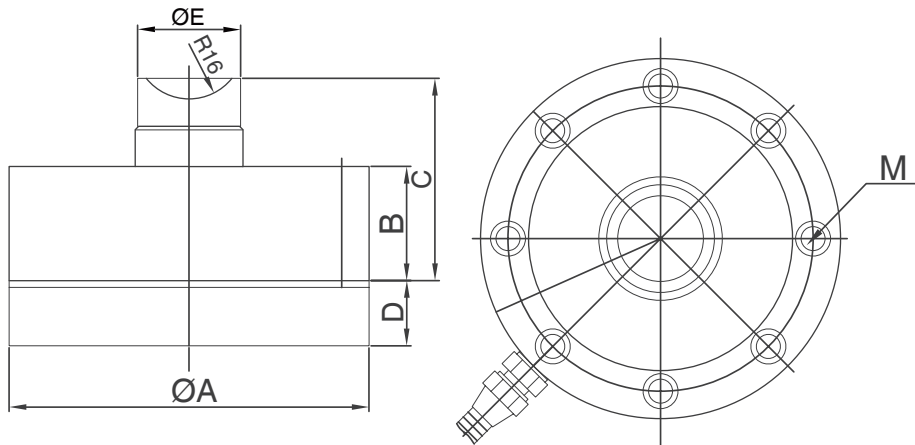
LCF510 Load Cell



- Maximum capacity (Emax) 额定载荷 (t):
5, 10, 20, 50
- Be suitable for the fields of Truck scales, Rail scales, Ground scales, Heavy capacity Platform scales, Hopper and Tank Weighing, Testing Machines.

适用于汽车衡、轨道衡、地上衡、大量程平台秤、料斗秤和料罐秤、材料实验机

外形尺寸 Dimensions(in mm)



量程 Capacity(t)	ØA	B	C	D	ØE	R	M
5	105	34	60	19	30.1	16	M6
10	121	41	53.8	24	39	22	M8
20	121	47	53.2	19	40.6	22.2	M8
50	141	51	57.62	95	1	22.6M	10

接线图 Wiring code



技术参数 Specifications

额定载荷 Rated Load	t	5, 10, 20, 50
额定输出 Rated Output	mV/V	2.0±0.005
零点平衡 Zero Balance	%R.O.	±1
综合误差 Comprehensive Error	%R.O.	±0.03
蠕变 (30 分钟) Creep after 30 minutes	%R.O.	±0.03
推荐激励电压 Recommended excitation voltage	VDC	5-12 /15(max)
输入阻抗 Input impedance	Ω	770±10
输出阻抗 Output impedance	Ω	700±5
绝缘阻抗 Insulation resistance	MΩ	≥5000 (50VDC)
安全过载 Safe overload	%R.C.	150
极限过载 Ultimate overload	%R.C.	300
弹性元件材料 Material		Alloy Steel 合金钢
防护等级 Degree of protection		IP66