

称重传感器 LOAD CELL

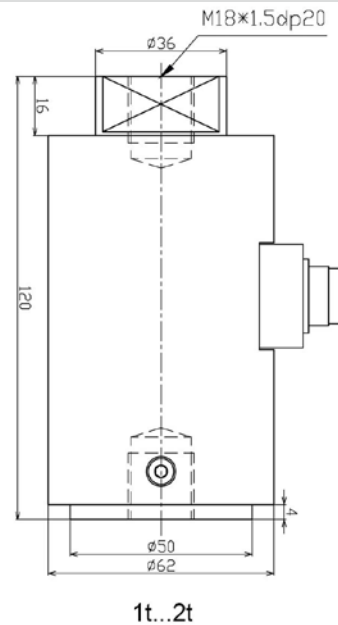
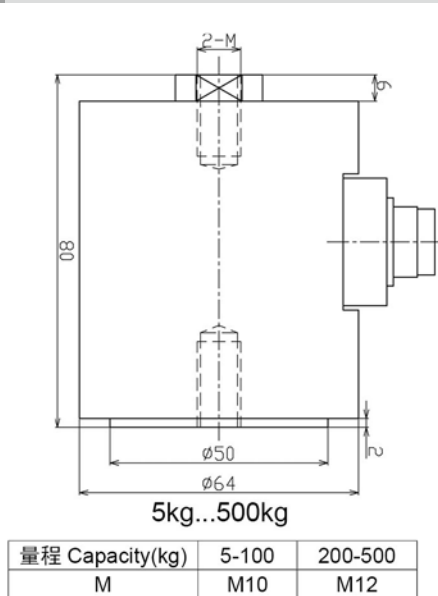
C420 称重传感器

C420 Load Cell



- Maximum capacity (E_{max}) 额定载荷 (kg):
5, 10, 20, 50, 100, 200, 500, 1000, 2000
- Be suitable for a wide range of applications including testing or weighing systems.
适用力的控制及测量

外形尺寸 Dimensions(in mm)



技术参数 Specifications

额定载荷 Rated Load	kg	5, 10, 20, 50, 100, 200, 500
	t	1, 2
额定输出 Rated Output	mV/V	2.0
零点平衡 Zero Balance	%R.O.	±1
综合误差 Comprehensive Error	%R.O.	±0.05
蠕变 (30 分钟) Creep after 30 minutes	%R.O.	±0.03
推荐激励电压 Recommended excitation voltage	VDC	5-12 /15(max)
输入阻抗 Input impedance	Ω	380±10
输出阻抗 Output impedance	Ω	350±5
绝缘阻抗 Insulation resistance	MΩ	≥5000 (50VDC)
安全过载 Safe overload	%R.C.	150
极限过载 Ultimate overload	%R.C.	200
弹性元件材料 Material		Aluminum 铝合金 or Alloy Steel 合金钢
防护等级 Degree of protection		IP65
接线方式 Wiring code	Ex:	红 Red: + 黑 Black: -
	Sig:	绿 Green: + 白 White: -